

Ephesus Artemis™ Series LED Luminaire

Installation Manual

Introduction

The Ephesus Artemis™ LED Luminaire has been designed and engineered to provide quality lighting in a variety of operating environments. The product is UL listed under standards 1598 and 8750, as well as CSA certified under standard CSA C22.2 No. 250.0. This manual contains information about installing, operating, maintaining, and troubleshooting your new Artemis™ LED Luminaire. Questions concerning the use and applicability of this Artemis™ Series LED Luminaire should be directed to Ephesus Lighting Customer Service, (315) 579-2873, Monday-Friday, 8:00AM to 4:30PM EST. You may also write to :

Ephesus Lighting
ATTN: Customer Service
PO Box #
Syracuse, New York 13202
customerservice@ephesuslighting.com

If contacting Customer Service, please record the following information and have available:

- Model Number: _____
- Serial Number: _____
- Date of Purchase: _____
- Date of Installation: _____

Tools Required

Before you begin the installation, you will need the following tools:

1. Screwdrivers (Various)
2. Ladder or Lift
3. Wire Strippers/Cutters
4. Safety Glasses
5. Wire Nuts

Warnings and Cautions

Please read and understand this entire manual before attempting to assemble, operate, or install the Artemis™ LED Luminaire. If you have any questions regarding the product, please call Customer Service.

1. All electrical connections must be in agreement with local codes, ordinances, or the National Electric Code (NEC). Contact your municipal building department to learn about local codes, permits, and/or inspections.

WARNING: RISK OF FIRE - MOST FACILITIES BUILT BEFORE 1985 HAVE SUPPLY WIRE RATED FOR 60°C. CONSULT A QUALIFIED ELECTRICIAN BEFORE INSTALLATION.

2. TURN OFF ELECTRICITY at main fuse box or circuit breaker box before beginning installation by removing the fuse or switching off the circuit breaker.

3. DO NOT make or alter any open holes in the luminaire during installation.

4. DO NOT connect this luminaire to an electrical system that does not provide a means for equipment grounding.

Never use a luminaire in a two-wire system that is not grounded. **WARNING: INSTALLING A LUMINAIRE INTO AN ELECTRICAL SYSTEM NOT HAVING PROPER GROUNDING COULD ALLOW METAL PARTS OF THE LUMINAIRE TO CARRY ELECTRICAL CURRENT IF ANY OF THE LUMINAIRE WIRES, WIRE CONNECTIONS, OR SPLICES BECOME BROKEN, CUT, OR LOOSE. ANYONE COMING IN CONTACT WITH THE LUMINAIRE IS SUBJECT TO ELECTRICAL SHOCK, WHICH COULD CAUSE SERIOUS INJURY OR DEATH.**

5. If you are not sure your lighting system is grounded, DO NOT attempt to install this luminaire. Contact a qualified licensed electrician for information with regards to proper grounding methods as required by the local electrical code in your area.

6. DO NOT connect the bare or green insulation ground wire to the black (HOT) current-carrying or white (NEUTRAL) supply wire.

WARNING: CONNECTING OF THE BARE OR GREEN LUMINAIRE GROUND WIRE TO THE BLACK OR WHITE SUPPLY WIRES MAY ALLOW ALL METAL PARTS OF THE LUMINAIRE TO CARRY ELECTRICAL CURRENT. UNDER THIS CONDITION ANYONE COMING IN CONTACT WITH THE LUMINAIRE WILL RECEIVE ELECTRICAL SHOCK, WHICH COULD CAUSE SERIOUS INJURY OR DEATH.

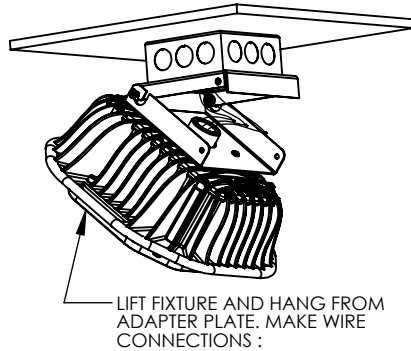
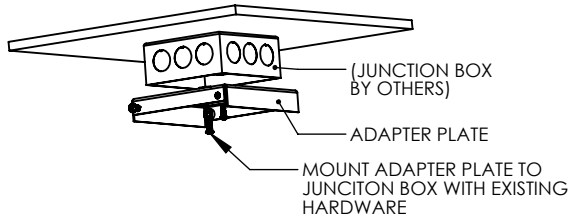
7. ALWAYS mount the LED Luminaire according to Ephesus mounting instructions. DO NOT suspend any luminaire by the supply wires.

WARNING: WIRE CONNECTORS WILL NOT SUPPORT THE WEIGHT OF A LUMINAIRE. SUSPENDING A LUMINAIRE BY THE FACILITY WIRES AND WIRE CONNECTORS WILL RESULT IN THE LUMINAIRE FALLING, WITH THE POSSIBILITY OF PERSONAL INJURY AND THE DANGER OF ELECTRICAL SHOCK OR FIRE.

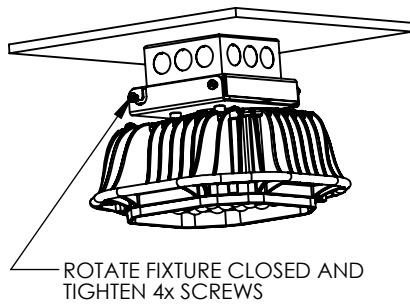
8. BE CAREFUL not to damage or cut the wire insulation (covering) during installation. DO NOT permit wires to contact any surface having a sharp edge. Doing so may damage or cut the wire insulation, possibly causing injury or death from electrical shock.

9. The high intensity light produced by the luminaire can cause severe damage to the eye if viewed directly at close range. ALWAYS wear suitable protective goggles.

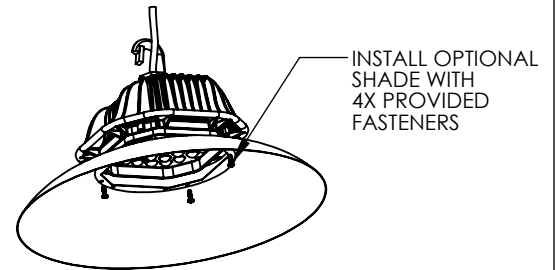
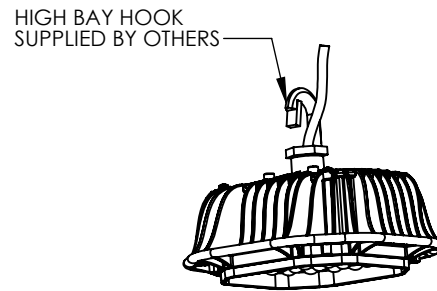
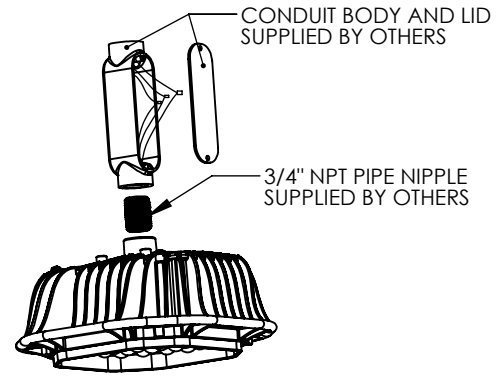
-CL CEILING MOUNT MOUNTING DETAILS



BLK = LINE
WHT = NEUTRAL
GRN = GROUND
RED = DIM+
ORN = DIM-



-PD PENDANT MOUNT MOUNTING DETAILS



* These designs are protected by patents pending

Installation

Turn OFF all power before installing, adjusting, or removing the luminaire or any of its components.

1. Follow diagrams above for each mounting style
2. It is recommended to apply thread locking compound to all threaded junctions

WARNING NEVER CONNECT SUPPLY AC VOLTAGE TO DIM CORD LEADS, AS THIS WILL DAMAGE THE FIXTURE AND VOID ALL WARRANTY.

3. The fixture is now ready to be energized.

Troubleshooting

Minor problems often can be fixed without an electrician. Before doing any work on the luminaire, shut off the power supply to avoid electrical shock.

Symptom

No light output

Possible Cause

Power is off.
Bad wire connection.
Bad switch.
Dim lines are shorted

Corrective Action

Check if power supply is on.
Check wiring connections.
Test or replace switch.
Verify no shorts in dim line
Check wiring connections.

Fuse blows or circuit breaker trips

Crossed wires or a supply wire is grounding out.